

Figure 1.

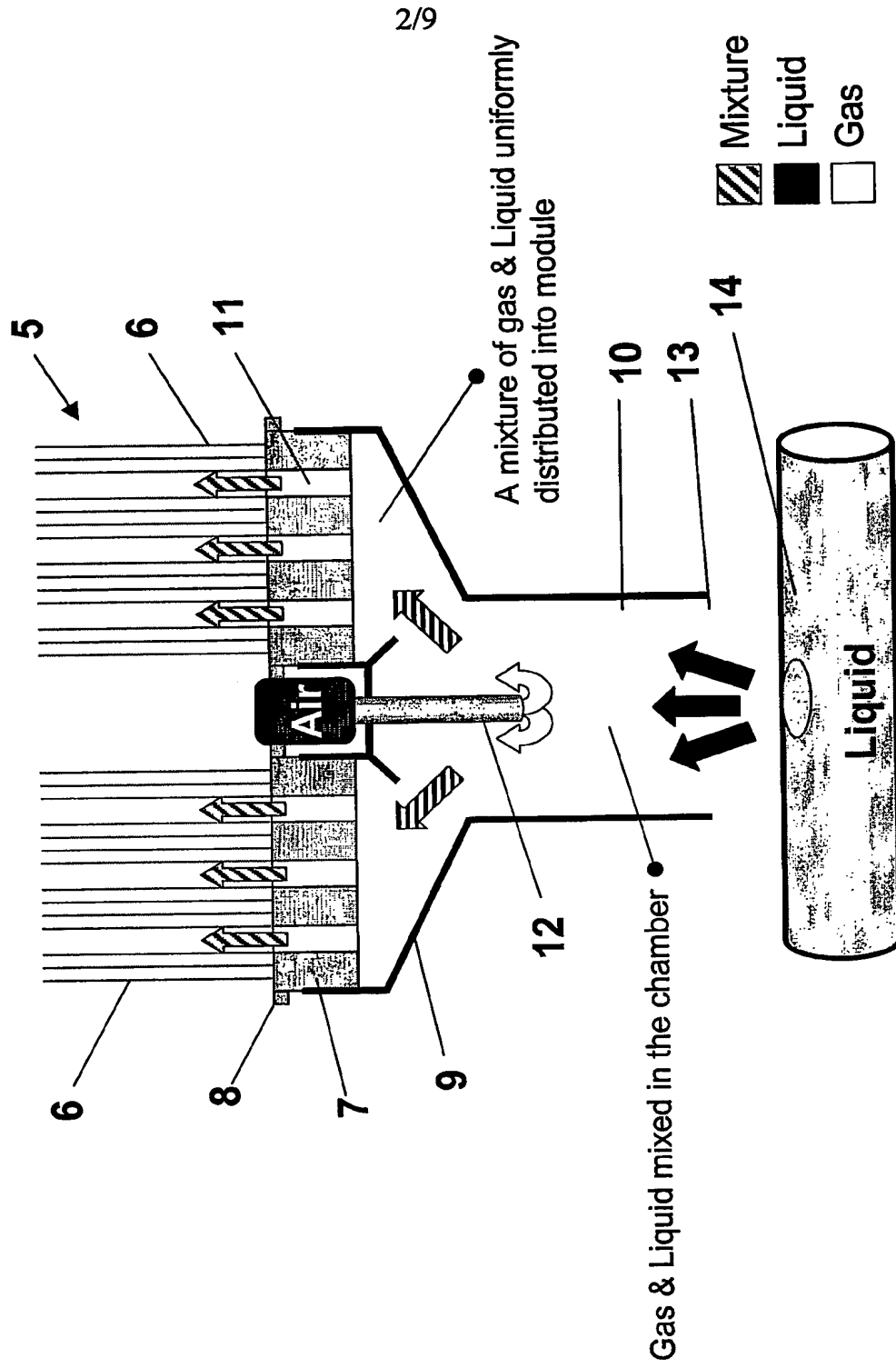


Figure 2.

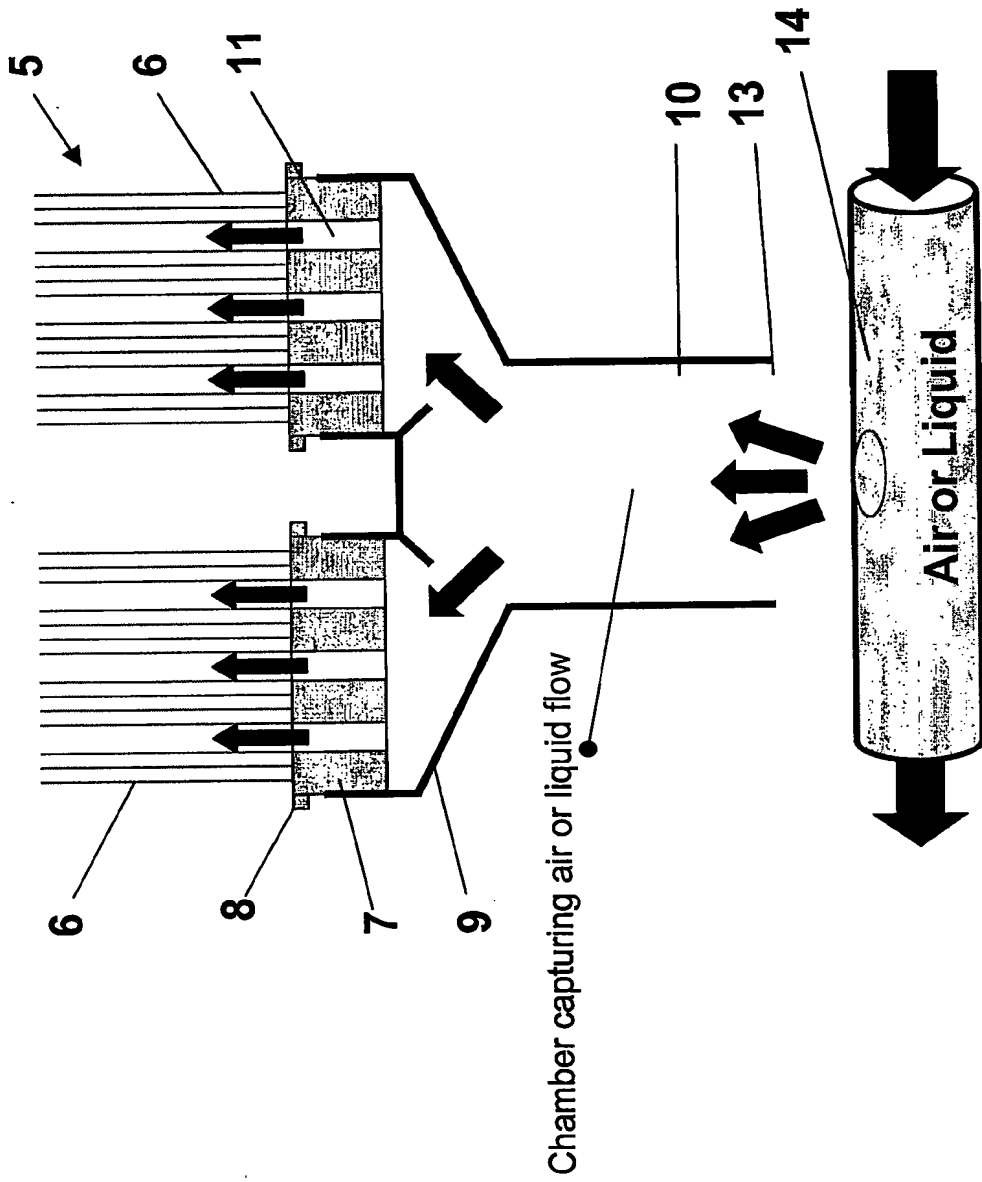


Figure 3.

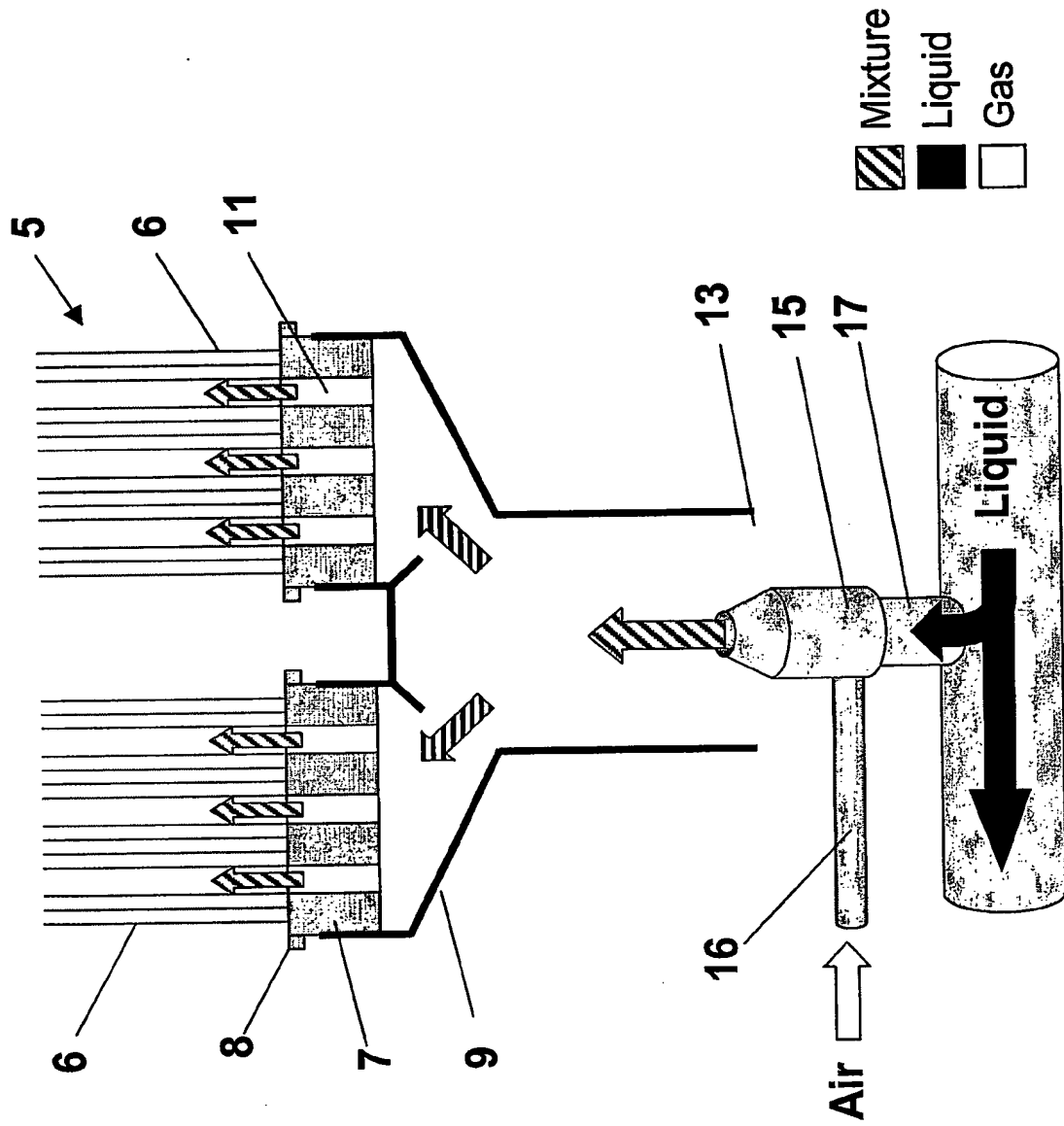


Figure 4.

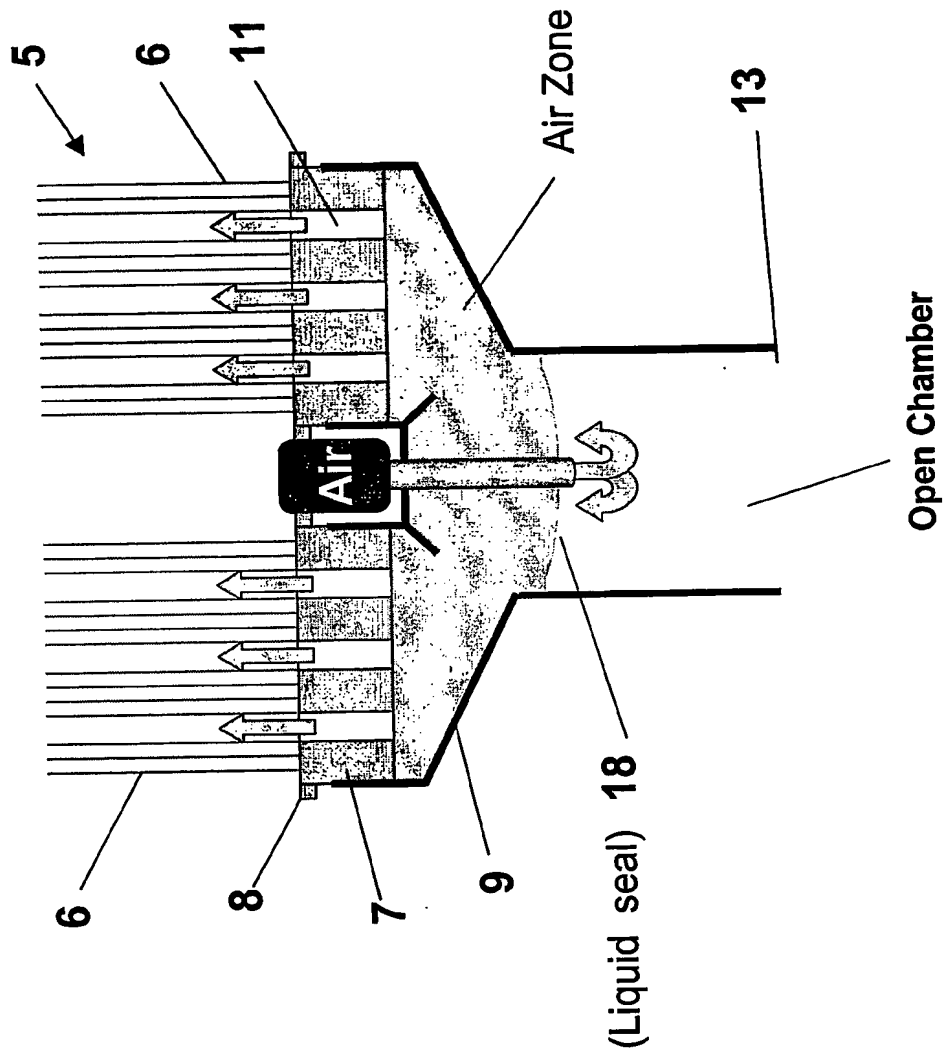


Figure 5.

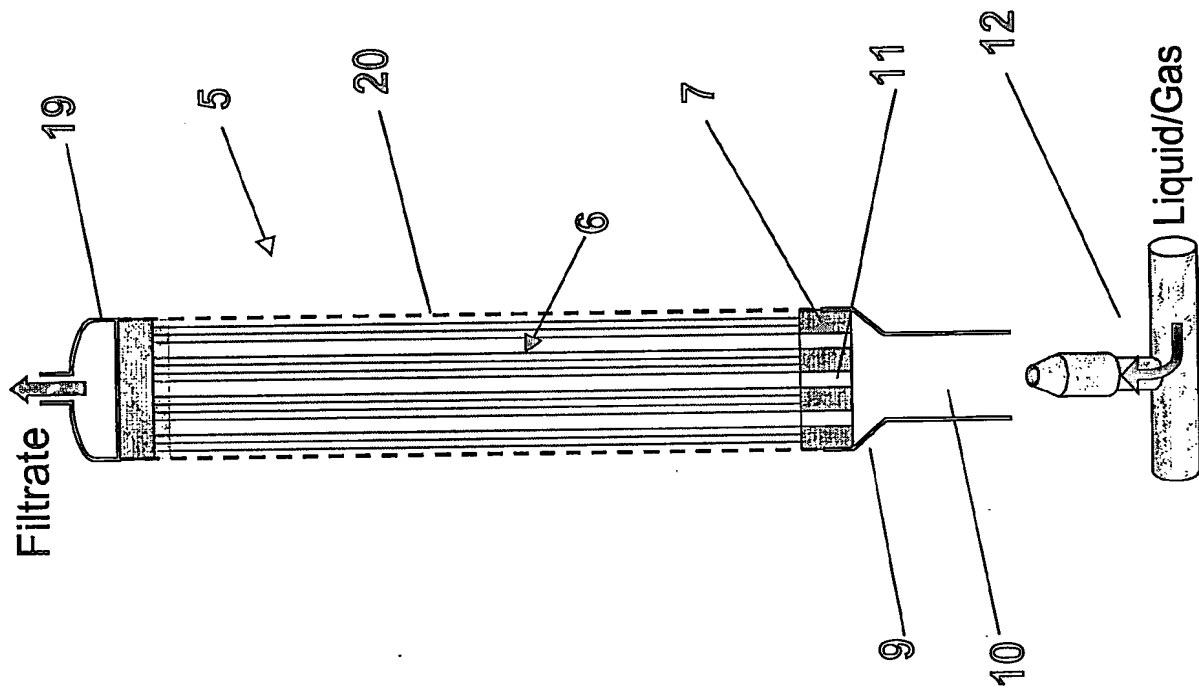


Figure 6. Mixing chamber attached to single module

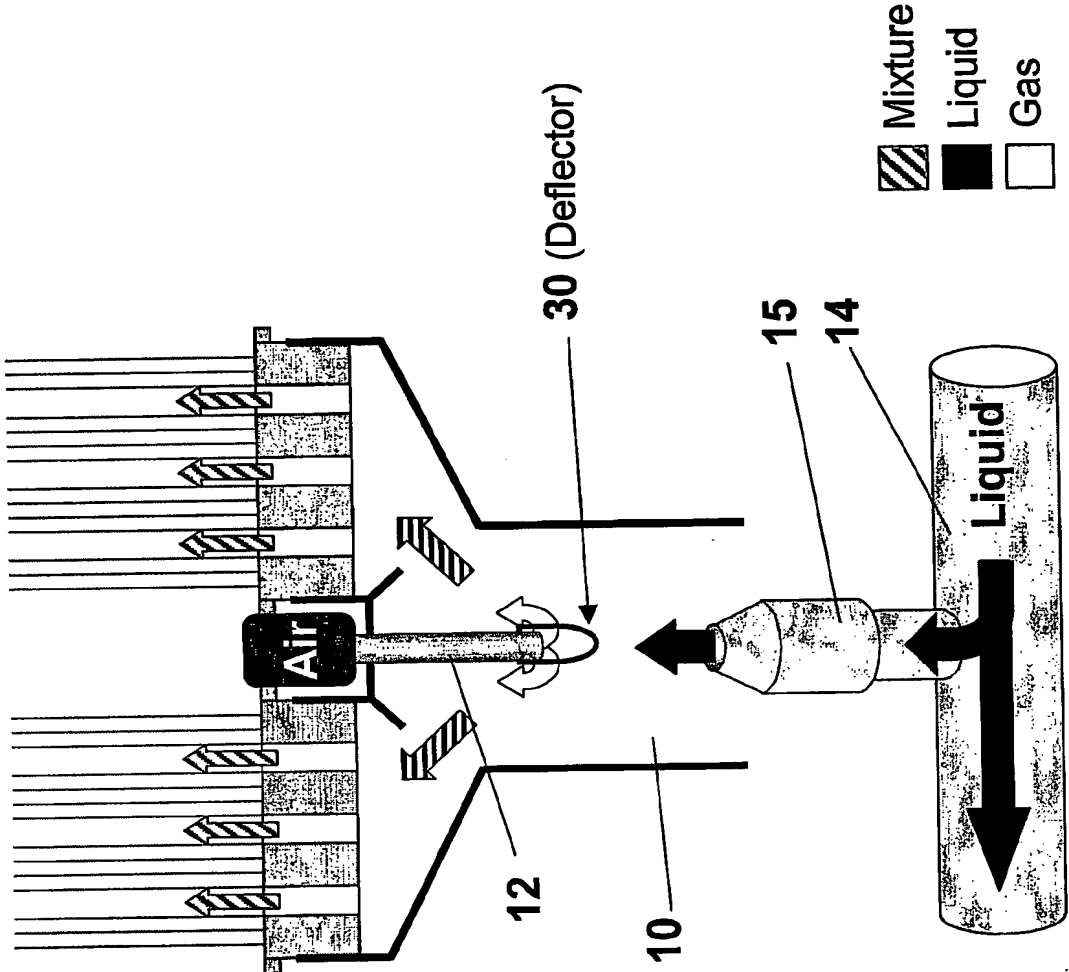


Figure 7.

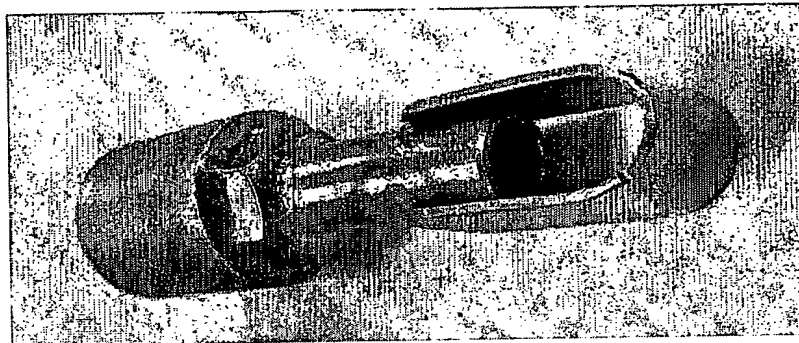


Figure 8b.

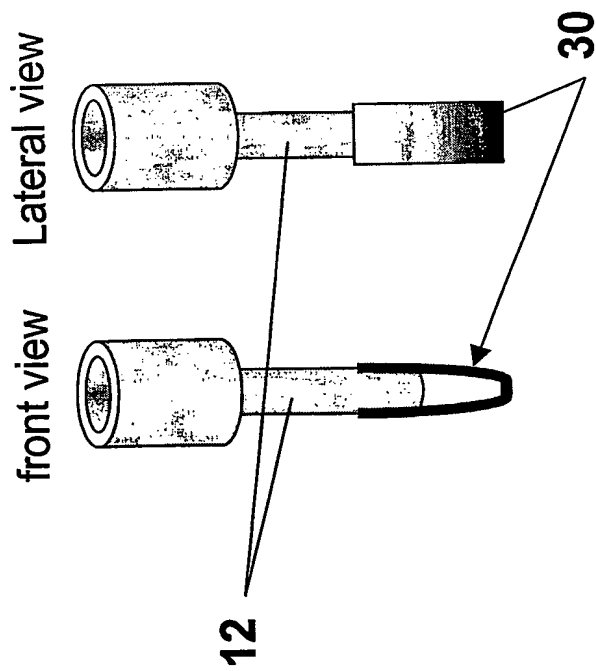


Figure 8a.



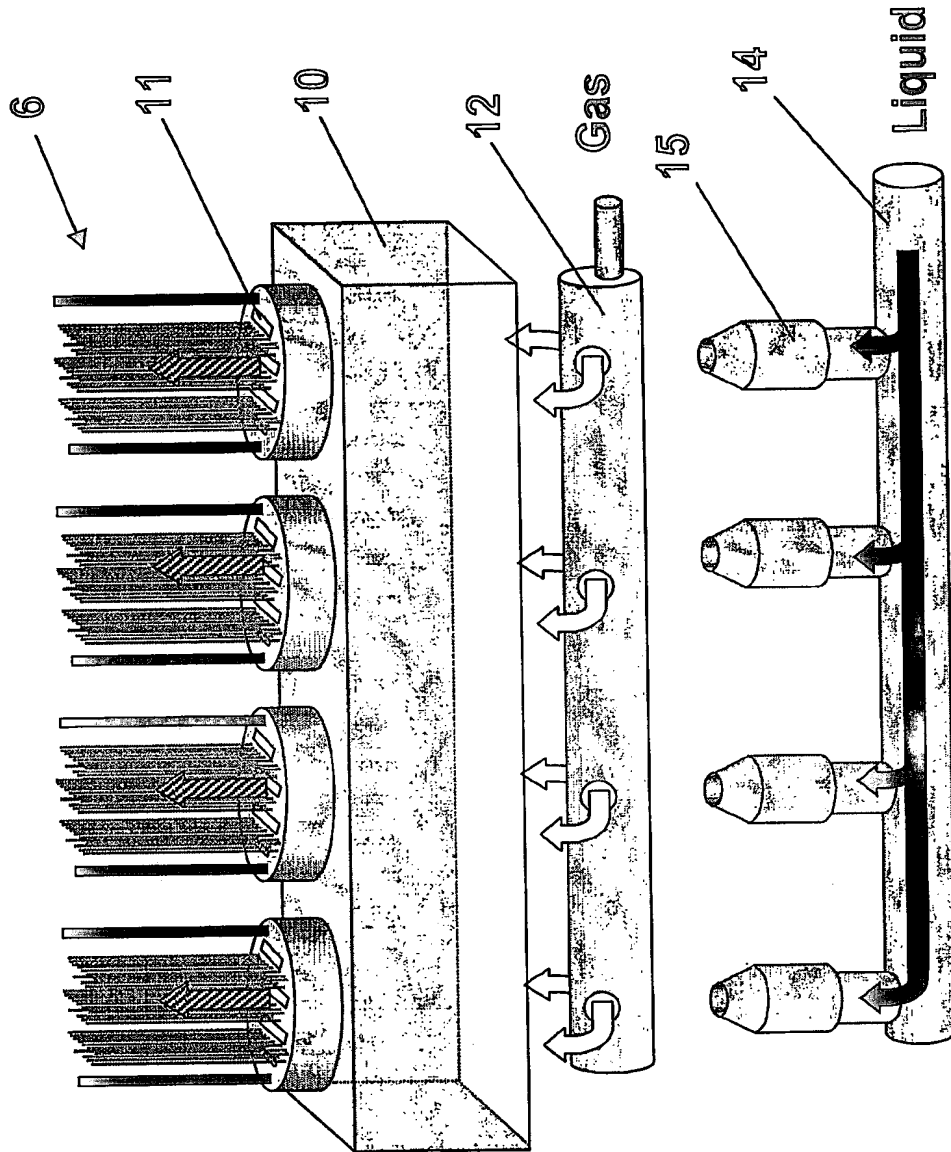


Figure 9.